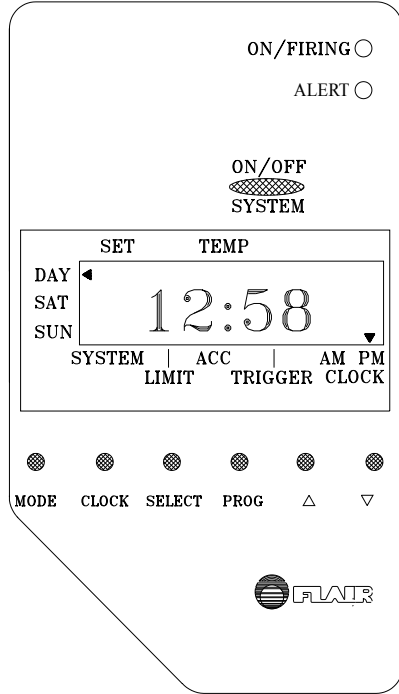


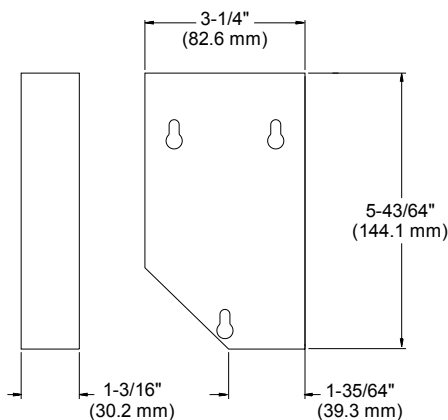
ELECTRONIC PROGRAMMABLE PROPORTIONAL CONTROLSTAT *series CSPP*

For programmed, proportional control of single stage oil and gas fired and electric boilers, furnaces and water heaters.

BENEFITS & SPECIAL FEATURES



DIMENSIONS

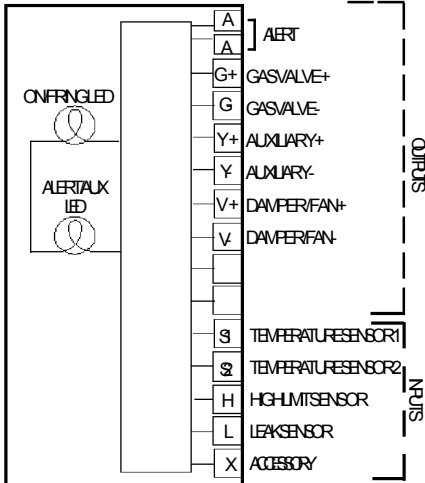


- Proportional output provides fast and accurate control of burner, electrode, air intake, vent damper or variable speed fan.
 - Proportional integral control eliminates overshoot and droop.
 - Set and display system temperatures.
 - Display temperatures in F° or C°.
 - Control, monitor, and display high limit.
 - Set minimum required temperature for auxiliary output.
 - Select from average two sensors.
 - Triggers sensor may be set for full output.
 - Two sensors may be selected or averaged.
 - 4 daily programs for M-F, Sat. and Sun.
 - Digital 12/24 hour real time clock.
 - Five year lithium battery.
 - Easy programming—Easy setting.
 - Large, easy to read, LCD display.
 - System status indicators.
 - Constant and resetable hour meters for routine maintenance reminders and efficiency measurement.
 - Learned response feature adjusts for changing demands and response times.
 - Manual on/off override.
 - Temporary override with automatic resumption of program.
 - Program hold—overrides program for up to 365 days.
 - High and low limit monitors and accessory inputs trigger alert function.
- Alert and accessory inputs can be connected to external security system, signalling device or dialer.
- Accessory input can be attached to filter monitor, fuel sensor, or flame quality indicator.
 - Will fire at maximum output upon receiving sensory signal from control trigger.

SPECIFICATIONS

Operating Voltage:	24 vac (-15%, +10%, 50-60 Hz)
Output:	0-10 Vdc or 4-20mA
Temperature Differential:	
Accuracy:	approximately ±0.8°F (.4°C)
Sensor System:	Negative Temperature Coefficient (NTC)
Type:	(2) external—may be selected or averaged
Switches:	
Push-button:	MODE/CLOCK/SELECT/PROG/UP/DOWN
Push-button:	SYSTEM: ON/OFF
Rotating:	set TEMPERATURE
Indicator LED's:	ON (Steady Green) / FIRING (Flashing Green)
	ALERT (Flashing Red) / AUX (Steady Red)
Display:	LCD, 4 character, .5" (1.27 cm) height.
Alert function:	Triggered if either minimum temperature (freeze protection) or high limit (safety) is exceeded or leak sensor is triggered with option for trigger or accessory input
Security:	Electronic temperature limiting and locking with 4 digit password. Program locking.
Dimensions:	5 ^{43/64} x 3 ^{1/4} x 1 ^{3/16} Inches (144.1 x 82.6 x 30.2 mm)

MODEL NUMBERS AND DESCRIPTIONS FOR VARIOUS APPLICATIONS



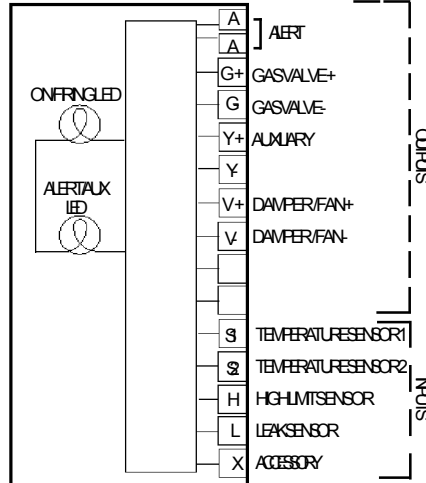
Model Number For:
 Gas Boilers CSPPPGB02
 Gas Furnaces CSPPPGF02

Temperature Range:
 System: 100 °F - 220 °F
 High limit: 180 °F - 220 °F
 Accessory: 100 °F - 180 °F

Gas Water Heaters CSPPPGW02

Temperature Range:
 Operating range: 100 °F - 160 °F
 High limit: 200 °F
 Accessory: 100 °F - 140 °F

Switching Current at 24 VAC:
 Gas valve: 1 A
 Auxiliary: 10 A
 Vent damper: 1 A
 Combustion damper: 1 A
 Weight: .4 lbs. (880 g)



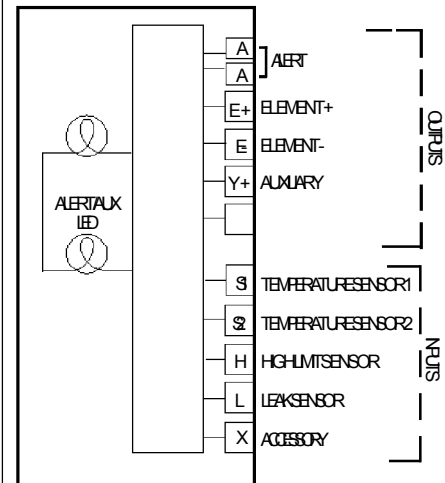
Model Number For:
 Oil Boilers CSPPOB04
 Oil Furnaces CSPPOF04

Temperature Range:
 System: 100 °F - 220 °F
 High limit: 180 °F - 220 °F
 Accessory: 100 °F - 180 °F

Oil Water Heaters CSPPOW04

Temperature Range:
 Operating range: 100 °F - 160 °F
 High limit: 200 °F
 Accessory: 100 °F - 140 °F

Switching Current at 120 VAC:
 Burner: 10 A
 Auxiliary: 10 A
 Vent damper: 1 A
 Combustion damper: 1 A
 Weight: .4 lbs. (880 g)



Model Number For:
 Electric Boilers CSPPEB04
 Electric Boilers CSPPEB07
 Electric Furnaces CSPPEF04
 Electric Furnaces CSPPEF07

Temperature Range:
 System: 100 °F - 220 °F
 High limit: 180 °F - 220 °F
 Auxiliary: 100 °F - 180 °F

Electric Water Heaters CSPPEW04
 Electric Water Heaters CSPPEW07

Temperature Range:
 System: 100 °F - 220 °F
 High limit: 180 °F - 220 °F
 Auxiliary: 100 °F - 180 °F

Switching Current at 120 VAC:
 Element Relay: 10 A
 Auxiliary: 10 A
 Weight: .4 lbs. (880 g)

ACCESSORIES

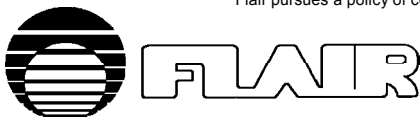
Temperature Sensor:	
Duct mount	TX101012
Immersion (well)	TX101031
Surface mount	TX101041
Auxiliary Relays:	
SPST 24/24 VAC 10 amps	
SPST 24/120 VAC 10 amps	
SPST 120/120 VAC 10 amps	
Leak Sensor	TX107001
Transformers:	
40 VA	TR140100
20 VA	TR120100
Relay Transformers:	
20 VA (2) SPST 120 VAC relay	TR440200
20 VA (1) SPST 120 VAC relay	TR440300
40 VA (1) SPST 24 VAC relay & (1) SPST 120 VAC relay	TR440100

REFERENCES

For More Information On:	See:
Other controllers for multi-stage and proportional systems	This section
Zone Actuators	Star Actuator section
Zone Valves	Star Valve section
Wiring Panels	Control Panels section
Weather Compensation Controls	Weather Compensation Controls section
Warranty & pricing	Pricing and terms section



Flair pursues a policy of constant improvement. For this reason, all specifications are subject to change without notice.



FLAIR INTERNATIONAL CORPORATION

600 Old Willets Path • Hauppauge, New York 11788 • Tel: (516) 234-3600 • Fax: (516) 234-3610

CSPPP2